



**Rugged and versatile**

**Demag LRS travel wheel system**

**DEMAG**  
.....

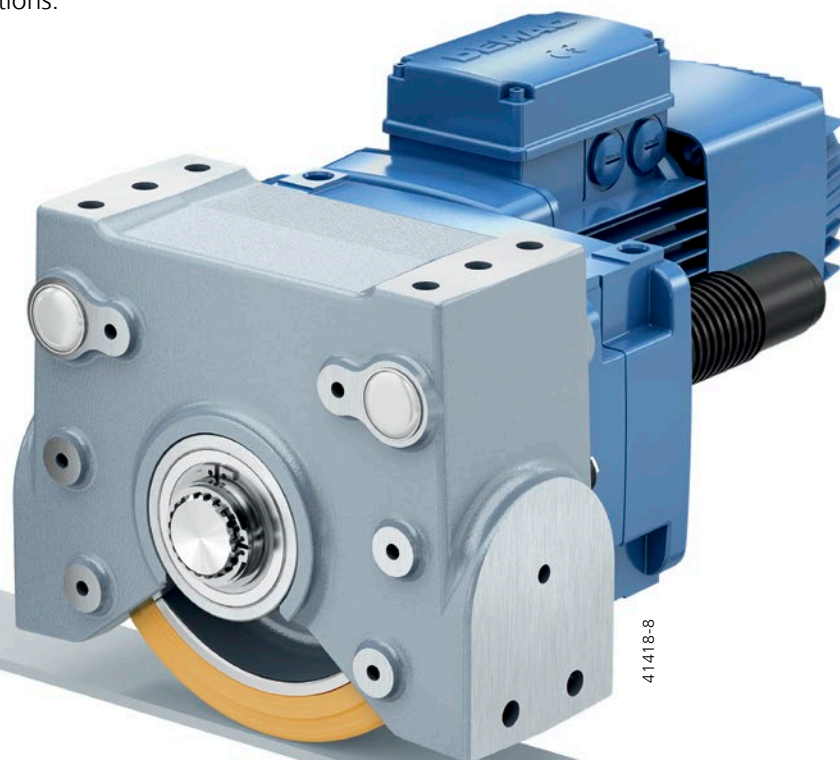
# Demag LRS travel wheel system – ready for installation

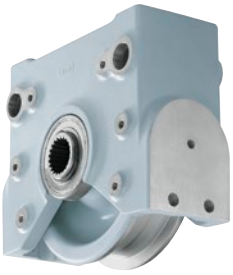
## TAILORED TO YOUR NEEDS – TO CUT YOUR DESIGN COSTS

Using the Demag LRS travel wheel system, you can meet your drive requirements quickly and reliably for transport, feed, transfer or distribution applications. We can supply you with the right travel wheels and drive units also for your application: ready for installation, of proven design and attractively priced – from stock.

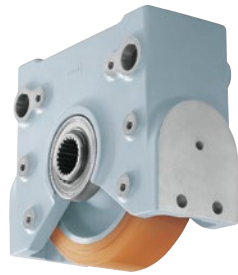
The Demag LRS system is suitable for wheel loads up to 6,500 kg and travel speeds up to 240 m/min. Simple selection of the components makes LRS ideal for engineers who want to build their own solution for a wide variety of travel applications.

Its extremely rugged spheroidal-graphite cast-iron housing block has five precisely machined connecting surfaces and offers a range of connection variants. The design features a top connection as standard. The required high-tensile bolts are included in the scope of delivery. They are zinc-coated to provide special surface protection.

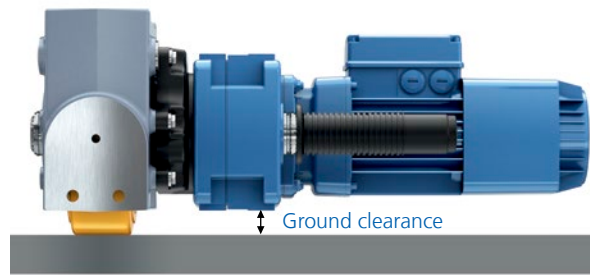




LRS... A spheroidal-graphite cast-iron travel wheel with two flanges



LRS ... F travel wheel with Hydropur tyre



LRS system for ground clearance

Centring bore holes in the top connection arrangement eliminate the need for time-consuming realignment if an LRS unit has to be replaced. As an option, the LRS system can also be adapted to your design via a pin connection arrangement, for which we offer a pin connection set.

The LRS system requires virtually no maintenance and can be operated at temperatures from -10 to +40 °C. The primer coat in RAL 7001 will also accept a paint finish, enabling you to paint the LRS system as you wish.

### THREE TRAVEL WHEEL VARIANTS

- Spheroidal-graphite cast-iron travel wheel
  - LRS...A with two flanges
  - LRS...B flangeless
- LRS...F travel wheel with Hydropur tyre

Thanks to the integrated graphite nodules, the **spheroidal-graphite cast-iron travel wheel** is self-lubricating and offers high resistance to wear and low rolling resistance. It also features effective damping characteristics for smooth travel that is particularly gentle on the track. 10% of the permissible wheel load can be accommodated as axial force by the wheel flanges.

The travel wheel featuring a **Hydropur tyre** is particularly suitable for highly dynamic applications (high acceleration, friction-wheel travel drives, etc.) due to its high friction coefficient. Its good damping characteristics provide for low operating noise.

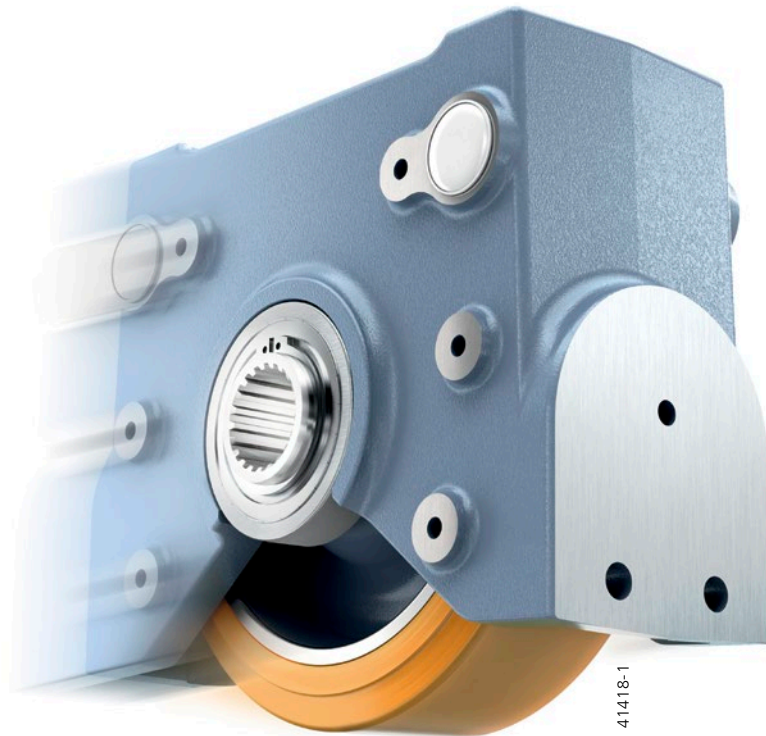
### DRIVE UNIT

Demag offset and angular geared motors are ideally suited as travel drives. The gearbox is connected to the LRS system with a hollow shaft featuring involute splines and a matching torque bracket.

Various gearbox sizes are available with corresponding travel motors that have IP54 protection depending on the load to be moved and the required speed. All travel wheels have a splined hub to DIN 5480.

The LRS system offers good ground clearance, which is important particularly for rail-guided, ground-level travel units fitted with a drive. A drive can also be added at any time.

# Your benefits at a glance



## VERSATILE THANKS TO ITS MODULAR DESIGN

- Three sizes: LRS 200, LRS 250 and LRS 350
- For push-travel operation or fitted with standard travel drives as individual or central drive units
- Can also be extended quickly and cost-effectively at a later date
- Optional fittings:
  - Horizontal guide rollers
  - Buffers
  - Pin connection set
  - Rail sweeping system
  - Laser alignment jig

## PRACTICAL DESIGN

- Particularly rugged design
- Rigid single-piece housing
- Precisely machined connection surfaces
- Large ground clearance
- Maintenance-free, patented travel wheel bearing arrangement

## EASY TO USE FROM THE START

- Simple and clearly structured documentation
- Easy selection via tables or online tools
- CAD files of your specific configuration simplify the design of your application
- Fast installation

## PERFORMANCE TO MEET YOUR NEEDS

- Cost-effective solution for your travel application
- Standard product for short delivery lead times with high availability

## COMPLETE SOLUTIONS FROM A SINGLE SOURCE

- Consistently high quality thanks to series production
- One contact partner for the entire travel unit
- System expertise
- Decades of experience in travel unit design

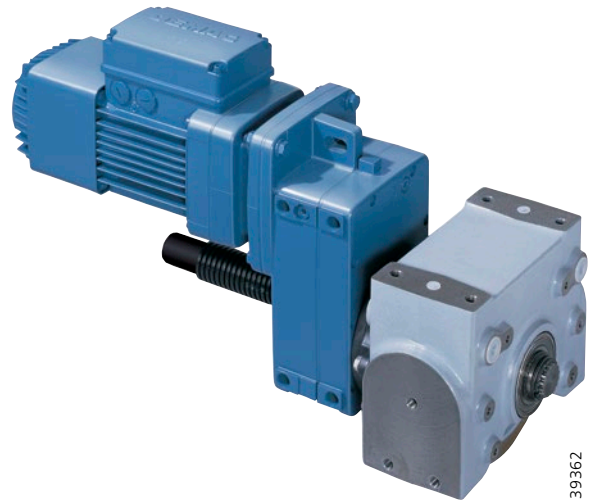


### LOAD CAPACITY DEPENDENT ON TRAVEL SPEED

The three sizes in the travel wheel system have graduated load capacities up to 6,500 kg – for speeds up to 100 m/min. For higher travel speeds – up to 240 m/min is possible – the wheel load has to be reduced.

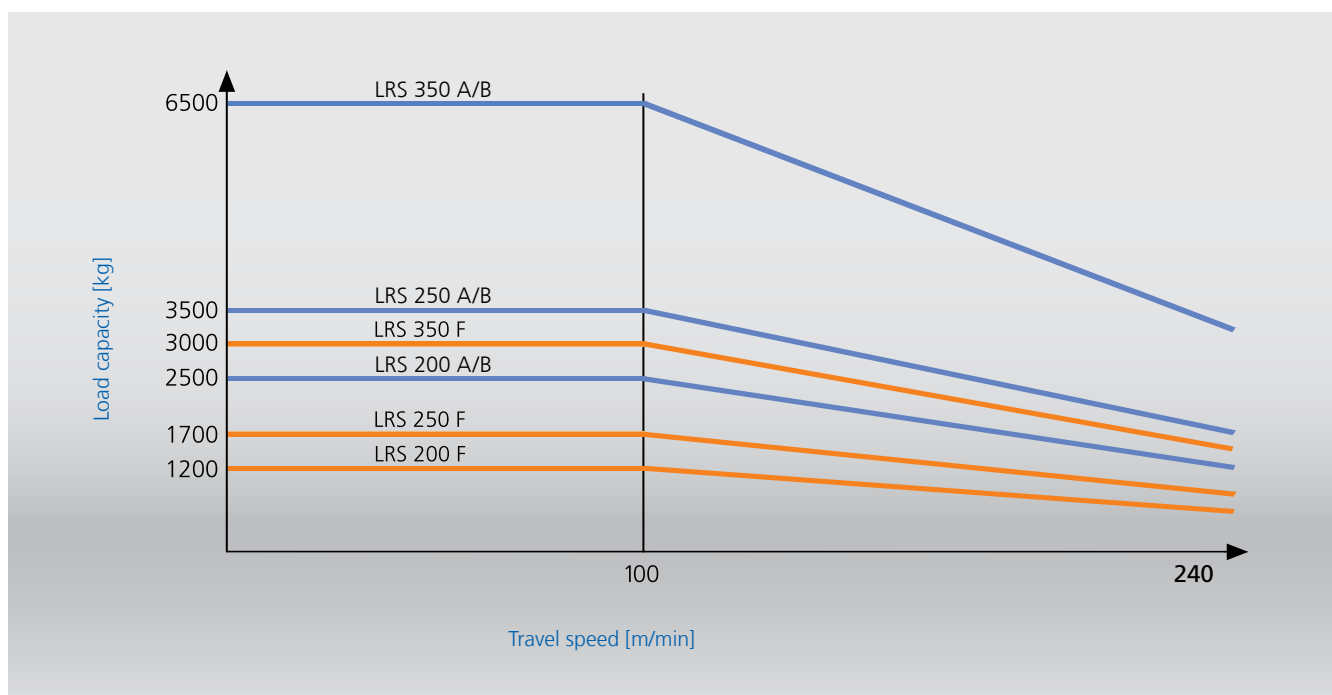
Longer times at standstill under load (more than 2 hours) need to be considered in the project engineering phase if travel wheels that have Hydropur tyres are used. In this case, their load capacity is reduced by 50% due to deformation.

The specified load capacities of travel wheels that have tyres apply for an ambient temperature of 40 °C. At higher temperatures, the load capacity decreases by 10% for every temperature increase of 10 °C.



39362

Load capacity	Size		
	LRS 200	LRS 250	LRS 350
<b>Spheroidal-graphite cast-iron travel wheel (LRS...A/B)</b>	3,500 kg	3,500 kg	6,500 kg
<b>Travel wheel with Hydropur tyre (LRS... F)</b>	1,200 kg	1,700 kg	3,000 kg



# Simple solution for a wide variety of applications

The Demag LRS travel wheel system quickly provides you with efficient solutions for a wide variety of requirements.

## MOVING ARCHITECTURAL ELEMENTS

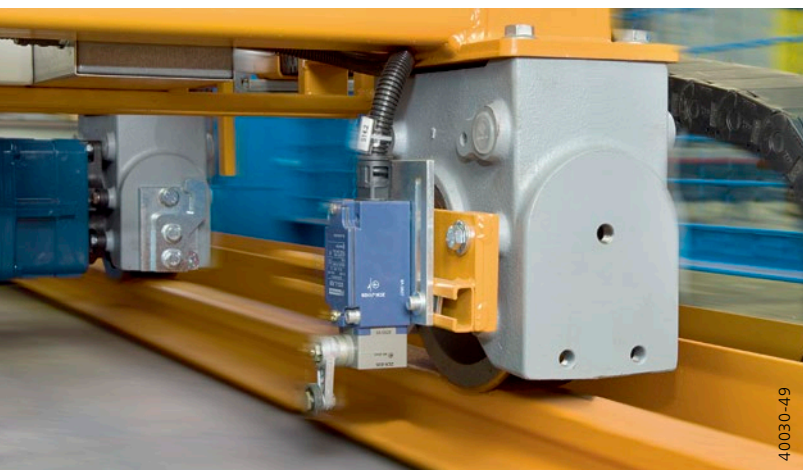
Travel wheels fitted with Hydropur tyres provide for smooth travel. Individual drives facilitate simultaneous travel even over large distances. Horizontal rollers or travel wheel flanges guide the system.

## WORKSHOP CRANES

They enable loads to be moved easily and quietly by hand throughout your workshop – of portal design with four LRS units equipped with Hydropur tyres travelling direct on a suitable concrete floor.

## SLIDING DOORS

Doors can be guided by spheroidal-graphite cast-iron travel wheels with flanges which run on rails. The drive in this application is a space-saving angular geared motor.



### TRANSFER CARRIAGES

Besides many other possible designs, two standard single drives can be used to move four-wheel trolleys that are mounted on rails. They can also be equipped with central drive unit arrangements.

### TURNOVER DEVICES

The high friction coefficients required for drives on rotating and turnover devices can be achieved with travel wheels that are fitted Hydropur tyres. The drives can be supplied as individual or central drive units. The counter-support arrangement also consists of an LRS system.

### STAGE EQUIPMENT AND LARGE SETS

Four-wheel trolleys fitted with travel wheels that have Hydropur tyres ensure that elements can be moved quickly and quietly by hand at ground level during performances.



### FRICTION WHEEL TRAVEL DRIVES

LRS systems equipped with travel wheels that have Hydropur tyres are ideally suited as friction-wheel travel drives for suspension cranes, bridge inspection equipment or cleaning platforms. They can be adapted to match the specific superstructure.





# The perfect solution for four-wheel trolleys and custom designs

## OPTIMUM COMBINATION

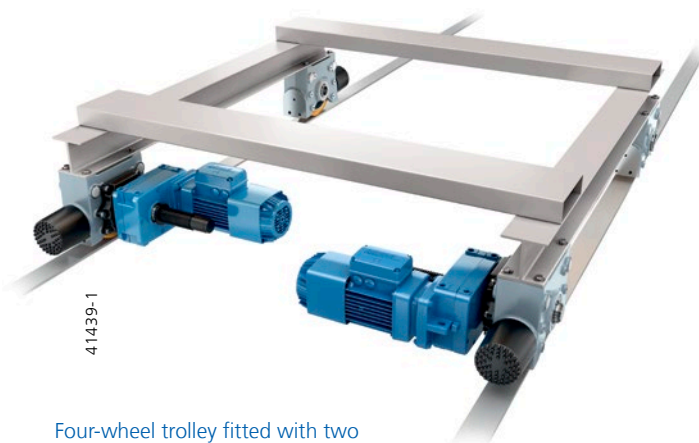
The Demag LRS travel wheel system and line-fed Demag geared travel motors offer unbeatable benefits: they are perfectly matched and of compact design; they offer outstanding reliability and are easy to install.

The LRS travel wheel system is not only ideally suited for rail-mounted, driven four-wheel trolleys. Above all, it enables you to create your own design solutions. Whether your planned design includes a motor that drives two travel wheels (central drive arrangement), or

separately driven travel wheels (two single drives) – Demag travel drive solutions from our modular system can be built to meet your individual needs. The Demag torque bracket also enables variable connection of the geared motor to the travel wheel system. Whether arranged on their side, upright or stepped at angles, Demag travel drives can be used for solutions designed to meet your specific requirements.



41418-7



41439-1

Four-wheel trolley fitted with two individual drive units

The **individual drive** available as standard consists of perfectly matching components:

- ZBF pole-changing travel motor with offset gearbox.
- Shaft with involute splines to connect the LRS and gearbox; shaft protection for the free shaft end on the motor side.
- Torque bracket with fittings



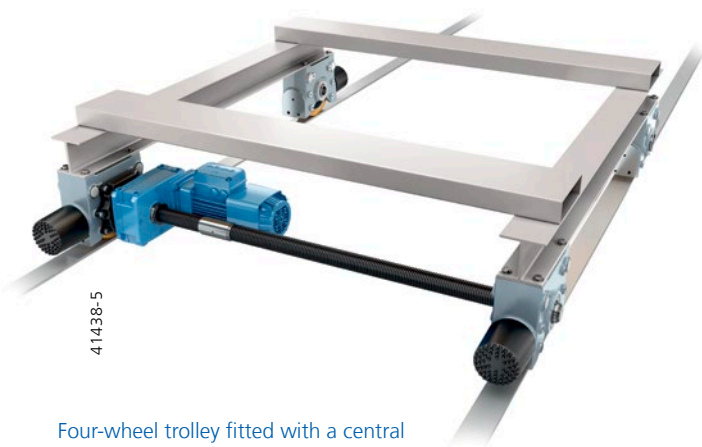
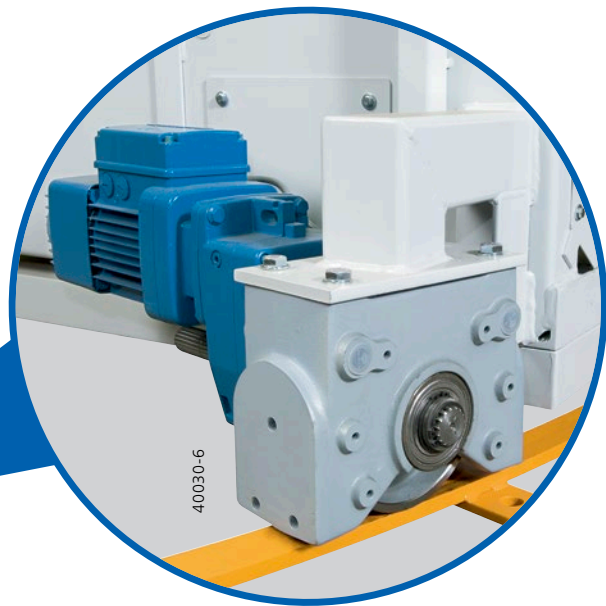
## COMPACT, STRONG AND EXACT

The torque bracket is designed in such a way that the drive torque is transmitted from the gearbox to the LRS without any radial force.



Demag ZBF travel motors acting as flywheel drives ensure smooth acceleration and braking with line operation.

With a wide, finely graduated transmission ratio range, the offset gearbox integrated into the compact direct drive provides good ground clearance. The arrangement of the spur wheels in the parallel-shaft gearbox results in a favourable distance between the input and output shafts, which enables it to be used for a central drive arrangement.



Four-wheel trolley fitted with a central drive unit

A central shaft set in two different lengths can be ordered for a **central drive** arrangement.

The set includes:

- Connecting shaft
- Splined shaft coupling
- Installation material and shaft protection

Two central shaft sets are available for track gauges up to 1,500 mm and 2,900 mm. Track gauge dimensions to meet individual customer requirements can be achieved by shortening the connecting shaft and shaft protection tube.

# Find the right drive for your needs

The selection tables show pole-changing standard drives for line-fed operation (400 V, 50 Hz) for common speeds.

To specify the right drive for your application, proceed as follows:

- Determine the total mass to be moved
- Select the size, travel wheel type and number of wheels (consider maximum load capacity of individual LRS units)
- Determine the drive type:  
Individual drive or central drive
- The total mass is moved by one drive on a four-wheel trolley equipped with a central drive
- Half of the total mass is moved by one drive on a four-wheel trolley equipped with individual drives
- The drive combinations (11 to 65) for the required travel speed and mass can be seen in the tables. Use this code to find the selected combination in the order list (see page 19) with ease

We can, of course, also offer you the appropriate drive for inverter operation.

You can benefit from the entire Demag drive system thanks to its modular design. In addition to offset gearboxes, you can also select angular gearboxes for special mounting situations, for example.

Proven Demag KB conical-rotor motors for starting and stopping applications can also be fitted to our gearboxes.

Demag sales engineers and our project engineering department will be pleased to help you with these special designs or travel speeds – up to 240 m/min – and masses other than those shown in the tables.

\* Values in brackets show the low travel speed for the pole-changing motor  
 \*\* Central drive not possible

## DRIVES FOR SPHEROIDAL-GRAPHITE CAST-IRON TRAVEL WHEELS

LRS 200 A/B, 175 mm dia., R <sub>max</sub> = 2,500 kg			
Mass per drive in kg	Speed v in m/min		
	12.5 (3.1)*	40 (10)*	80 (20)*
...	11**	13**	15
3,000			
4,000	12	14	
5,000			
6,000			
7,000			
8,000			
9,000	13	14	
10,000			
11,000			
12,000			
13,000			
14,000	14	15	
15,000			
16,000			

Drive combination	Gearbox	Motor
11	AMK 20 TD	ZBF 63 A 8/2
12	AMK 30 TD	ZBF 71 A 8/2
13	AMK 20 TD	ZBF 80 A 8/2
14	AMK 30 DD	ZBF 90 B 8/2
15	AMK 30 DD	ZBF 100 A 8/2

## DRIVES FOR TRAVEL WHEELS WITH HYDROPUR TYRES

LRS 200 F, 200 mm dia., R <sub>max</sub> = 1,200 kg			
Mass per drive in kg	Speed v in m/min		
	12.5 (3.1)*	40 (10)*	80 (20)*
...	21	22**	24
1,000			
1,500	23	25	
2,000			
2,500			
3,000			
3,500			
4,000	24	25	
4,500			
5,000			
5,500	25	26	
6,000			
6,500	26	27	
7,000			

Drive combination	Gearbox	Motor
21	AMK 30 TD	ZBF 63 A 8/2
22	AMK 20 TD	ZBF 71 A 8/2
23	AMK 30 DD	ZBF 90 B 8/2
24	AMK 30 DD	ZBF 90 B 8/2
25	AMK 30 DD	ZBF 100 A 8/2

**LRS 250 A/B, 220 mm dia., R<sub>max</sub> = 3,500 kg**

		Speed v in m/min		
		12.5 (3.1)*	40 (10)*	80 (20)*
Mass per drive in kg	...	31**	33**	35**
	3,000			
	4,000			
	5,000			
	6,000			
	7,000	32	34	
	8,000			
	9,000			
	10,000			
	11,000			
	12,000			
	13,000			
	14,000			
	15,000			
	16,000			

Drive combination	Gearbox	Motor
31	AMK 30 TD	ZBF 63 A 8/2
32	AMK 40 TD	ZBF 71 A 8/2
33	AMK 30 DD	ZBF 90 B 8/2
34	AMK 40 DD	ZBF 100 A 8/2
35	AMK 30 DD	ZBF 100 A 8/2

**LRS 350 A/B, 315 mm dia., R<sub>max</sub> = 6,500 kg**

		Speed v in m/min		
		12.5 (3.1)*	40 (10)*	80 (20)*
Mass per drive in kg	...	52	54	55
	9,000			
	10,000			
	11,000			
	12,000			
	13,000			
	14,000			
	15,000			
	16,000			
	17,000			
	18,000			
	19,000			
	20,000			
	21,000			
	22,000			

Drive combination	Gearbox	Motor
52/52B	ADK 50 TD	ZBF 80 A 8/2
54/52B	ADK 50 DD	ZBF 100 A 8/2
55/55B	ADK 50 DD	ZBF 132 A 8/2

B = drive combination for pin connection

**LRS 250 F, 250 mm dia., R<sub>max</sub> = 1,700 kg**

		Speed v in m/min		
		12.5 (3.1)*	40 (10)*	80 (20)*
Mass per drive in kg	...	41**	43**	45**
	1,000			
	1,500			
	2,000			
	2,500			
	3,000	42	44	
	3,500			
	4,000			
	4,500			
	5,000			
	5,500			
	6,000			
	6,500			
7,000				

Drive combination	Gearbox	Motor
41	AMK 30 TD	ZBF 63 A 8/2
42	AMK 40 TD	ZBF 71 A 8/2
43	AMK 30 DD	ZBF 80 A 8/2
44	AMK 40 DD	ZBF 90 B 8/2
45	AMK 30 DD	ZBF 100 A 8/2

**LRS 350 F, 350 mm dia., R<sub>max</sub> = 3,000 kg**

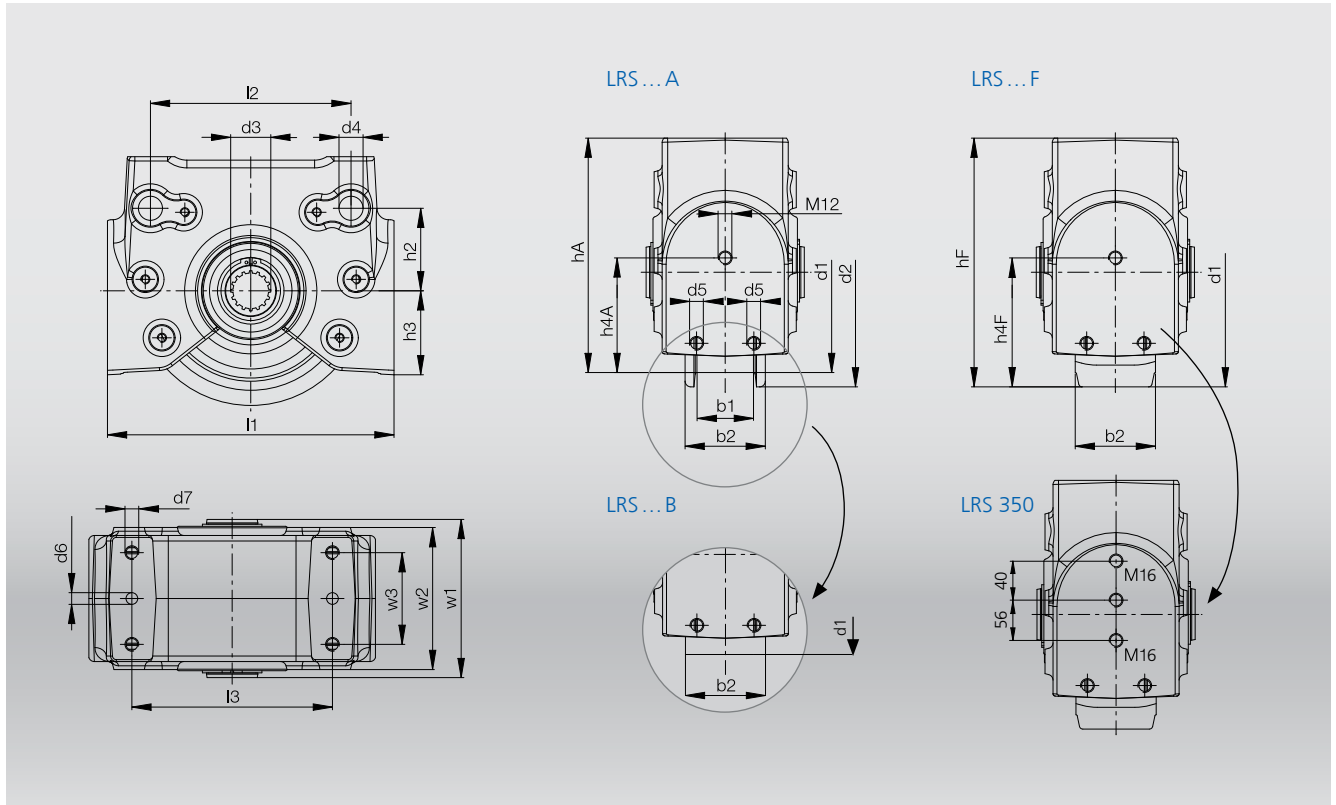
		Speed v in m/min		
		12.5 (3.1)*	40 (10)*	80 (20)*
Mass per drive in kg	...	62	64	65
	5,000			
	5,500			
	6,000			
	6,500			
	7,000			
	7,500			
	8,000			
	8,500			
	9,000			
	9,500			
	10,000			
	10,500			
	11,000			

Drive combination	Gearbox	Motor
62/62B	ADK 50 TD	ZBF 80 A 8/2
64/64B	ADK 50 TD	ZBF 90 B 8/2
65/65B	ADK 50 DD	ZBF 132 A 8/2

B = drive combination for pin connection

# Dimensions

## SIZES LRS 200/LRS 250/LRS 350



	d3 <sub>6g/7H</sub>	d4 <sub>F8</sub>	d5	d6 <sub>H13</sub>	d7 <sup>1)</sup>	T <sup>2)</sup> min ... max	h2	h3	l1	l2	l3	w1	w2	w3
<b>LRS 200</b>	N35 × 2 × 16	21	M12	10.2	M12 × 55	16 ... 35	72	77	250	175	175	138	126	80
<b>LRS 250</b>	N45 × 2 × 21	30	M16	14	M16 × 65	22 ... 40	90	97	306	220	220	156	138	85
<b>LRS 350</b>	N50 × 2 × 24	40	M16	14	M20 × 80	24 ... 50	80	141	450	370	320	200	186	100

1) Length of the top-connection bolt

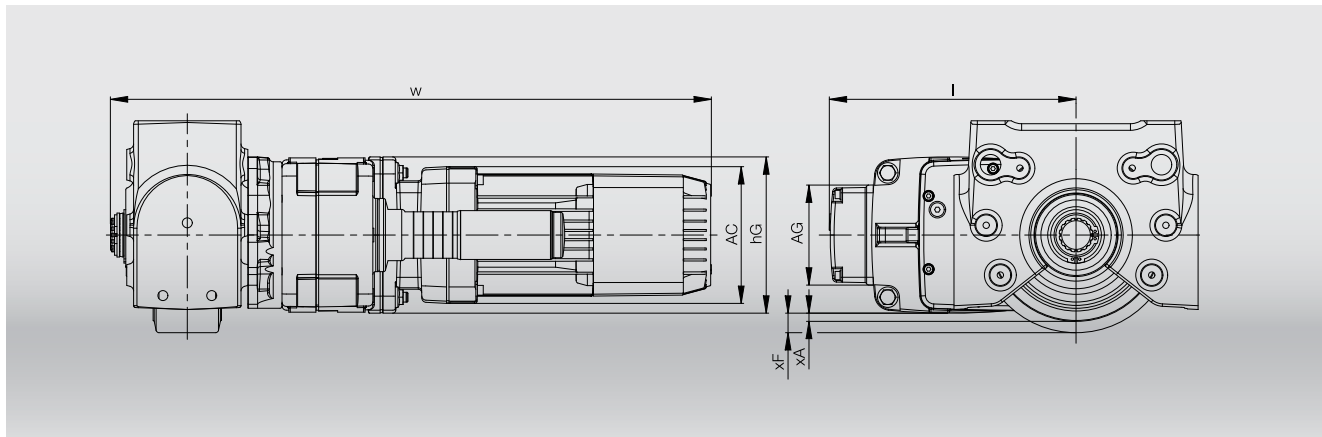
2) Thread depth T

	Travel wheel	b1	b2	d1	d2	hA	h4A	hF	h4F	Weight [kg]
<b>LRS 200</b>	F	–	70	200	–	–	–	217	112.5	15.1
	A	52	70	175	200	204.5	100	–	–	15.3
	B <sup>3)</sup>	–	60	175	–	204.5	100	–	–	14.4
<b>LRS 250</b>	F	–	80	250	–	–	–	270	115	27.6
	A	55	80	220	250	255	100	–	–	26.7
	B <sup>3)</sup>	–	70	220	–	255	100	–	–	25.5
<b>LRS 350</b>	F	–	110	350	–	–	–	367	157.5	65.0
	A	65	95	315	345	349.5	140	–	–	63.0
	B <sup>3)</sup>	–	90	315	–	349.5	140	–	–	59.3

3) Non-standard design: may result in other delivery times

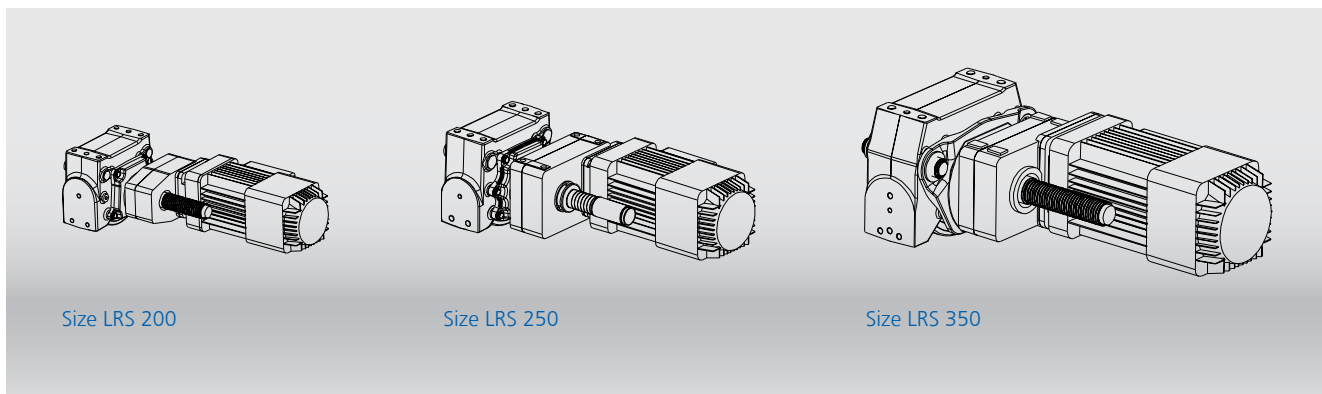


## DRIVEN LRS 200/LRS 250/LRS 350 WITH OFFSET GEARBOX AND ZBF TRAVEL MOTOR



	Size		Drive combination		l	hG	w	AC	AG	Ground clearance	
	Gearbox	Motor	A/B	F						xA	xF
LRS 200	AMK 20	ZBF 63/71	11	22	228	131	608	140	103	17.5	30
		ZBF 80	13	-	238	131	664	157	103	9	21.5
	AMK 30	ZBF 63/71	12	21	253	160	615	140	103	7.5	20
		ZBF 90B/100	14, 15	23, 25	281	160	715	196	133	-10.5	2
LRS 250	AMK 30	ZBF 63	31	41	253	160	641	140	103	30	45
		ZBF 80/90A	-	43	263	160	697	157	103	30	45
	AMK 40	ZBF 90B/100	33, 35	45	281	160	741	196	133	12	27
		ZBF 71	32	42	272	190	650	140	103	15	30
LRS 350	ADK 50	ZBF 90B/100	34	44	300	190	750	196	133	12	27
		ZBF 80	52	62	312	250	769	157	103	16.5	34
		ZBF 90B/100	54	64	330	250	813	196	133	16.5	34
		ZBF 132	55	65	363	260	955	260	173	16.5	34

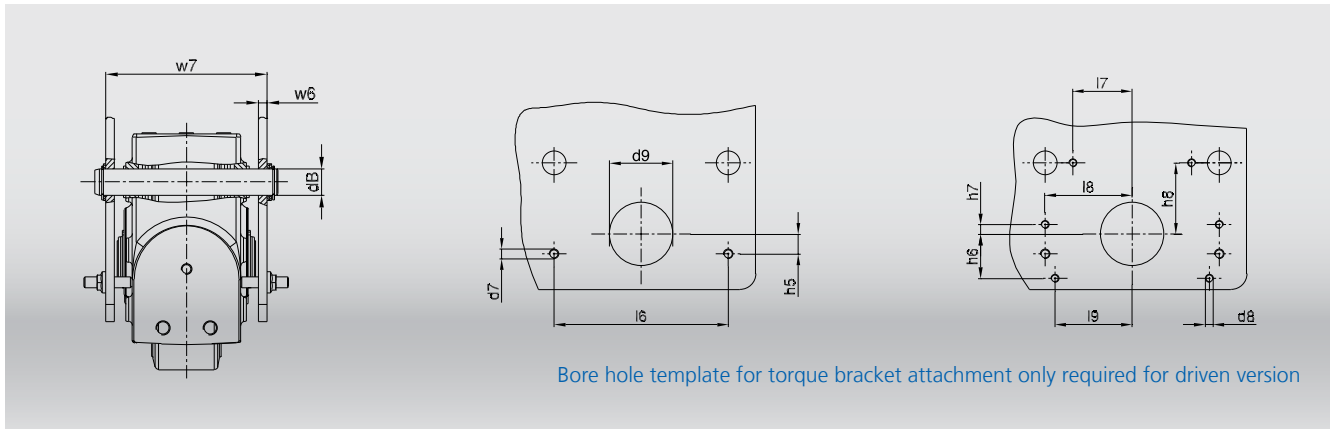
## LRS WITH STANDARD DRIVE COMBINATION



# Options and accessories

**PIN CONNECTION SET** consisting of:

- Pin
- Washers and retaining rings
- Threaded adjusting pins and nuts



	Part no.	w6 min	w7 max	dB	d7	d9	l6	h5
<b>LRS 200</b>	301 221 84	8	158	21 h8/D9	M10	50	175	20
<b>LRS 250</b>	301 321 84	10	185	30 h8/D9	M12	60	220	25
<b>LRS 350</b>	301 421 84 <sup>1)</sup>	10	230	40 h8/D9	M12	80	400	50

1) Pin connection set not required for LRS 350 with standard ADK50 drive combination

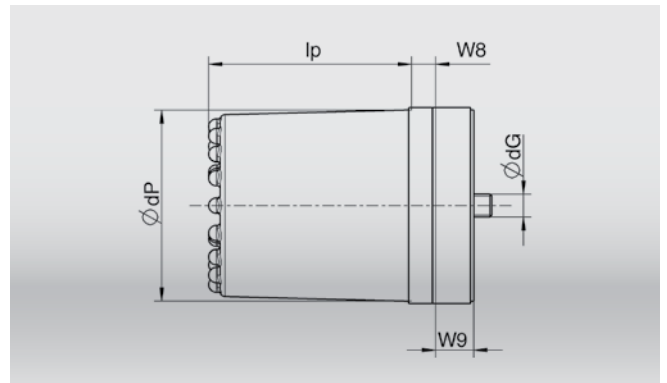
	h6	h7	h8	l7	l8	l9	d8
<b>LRS 200</b>	41	10	68.5	58.5	92	77.5	M8
<b>LRS 250</b>	56	12	90	75	110	97.5	M10
<b>LRS 350<sup>2)</sup></b>	70	10	115	105	140	120	M10

2) Bore hole template not required for LRS 350 with standard ADK50 drive combination

**BUFFER SET** consisting of:

- DPZ cellular plastic buffer
- Threaded pin
- Spacer elements

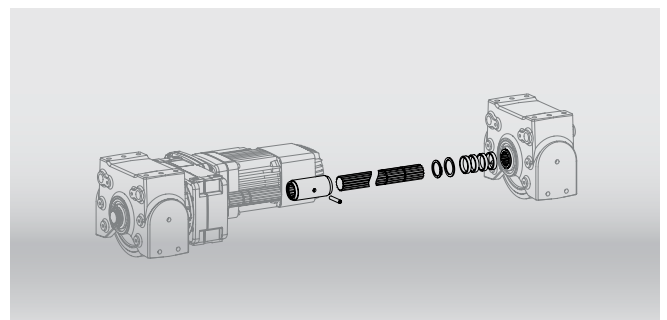
	Part no.	Buffer	IP	dP	dG	w8	w9
<b>LRS 200</b>	301 710 84	DPZ 100	106	100	M12	12.5	20
<b>LRS 250</b>							
<b>LRS 350</b>	301 711 84	DPZ 130	120	130	M12	16	25



**CENTRAL DRIVE SET** consisting of:

- Shaft with splined profile
- Coupling
- Shaft protection
- Washers and retaining rings

Track gauge	up to 1,500 mm	up to 2,900 mm
<b>LRS 200</b>	301 256 84	301 257 84
<b>LRS 250</b>	301 356 84	301 357 84
<b>LRS 350</b>	301 456 84	301 457 84



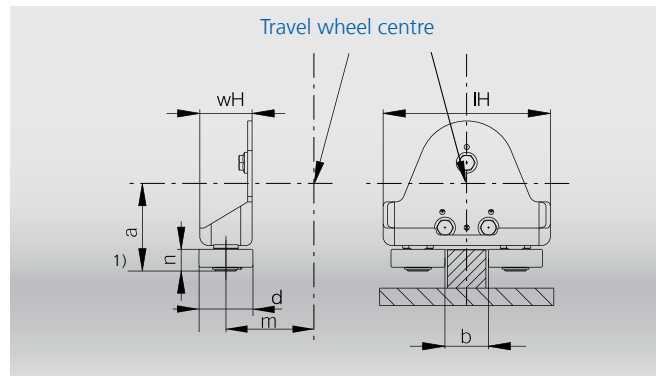
Possible central drive arrangements: see pages 10/11

**HORIZONTAL GUIDE ROLLER ARRANGEMENT** consisting of:

- Roller bracket for attachment to the LRS end face
- Mounting bolts
- Polyamide damping element (only for travel wheels that have a Hydropur tyre)

	Part no.	d	IH	m	a	wH	n	b
<b>LRS 200 A/B</b>	752 210 44	62	192	155	110	60	25	30-70
<b>LRS 200 F</b>	301 210 84	52	192	155	124	60	25	62-82
<b>LRS 250 A/B</b>	752 510 44	72	230	189	139	72	29	30-80
<b>LRS 250 F</b>	301 310 84	72	230	189	154	72	29	64-84
<b>LRS 350 A</b>	753 010 44	80	250	265	191	80	33	40-90
<b>LRS 350 F</b>	301 410 84	80	300	300	208	80	33	90-136

The permissible horizontal force of an LRS system fitted with a guide roller arrangement must not exceed 20% of the permissible wheel load.



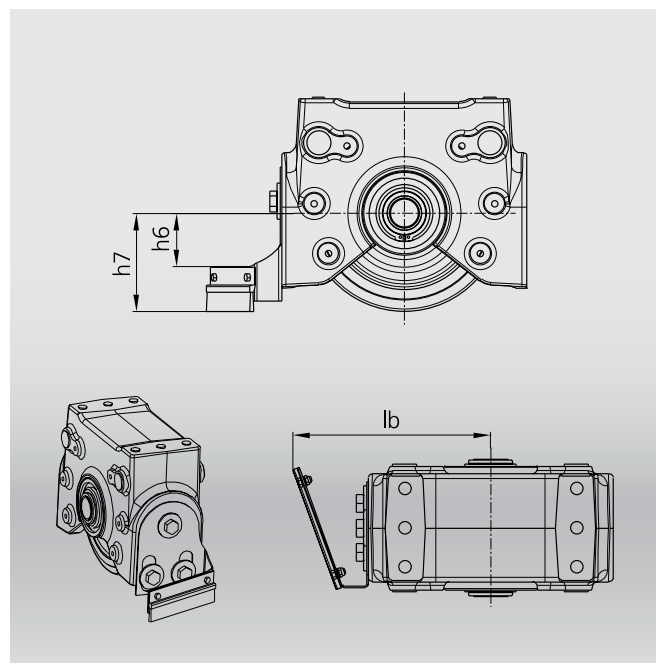
1) When a guide roller arrangement is used, ensure that it does not collide with the rail attachment.

### RAIL SWEEPING SYSTEM

(up to 120 mm rail width) consisting of:

- Rail sweeper bracket for attachment to the LRS end face, also in connection with buffer set (only DPZ 100)
- Brush with polyamide fibres (0.4 mm dia.)

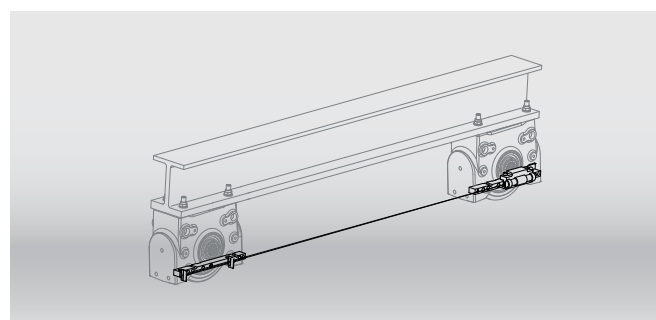
	Part no.	lb	h6	h7
<b>LRS 200 A/B</b>	301 732 84	202	41.5	87.5
<b>LRS 200 F</b>			54	100
<b>LRS 250 A/B</b>	301 733 84	230	64	110
<b>LRS 250 F</b>			79	125
<b>LRS 350 A/B</b>			302	111.5
<b>LRS 350 F</b>	129	175		



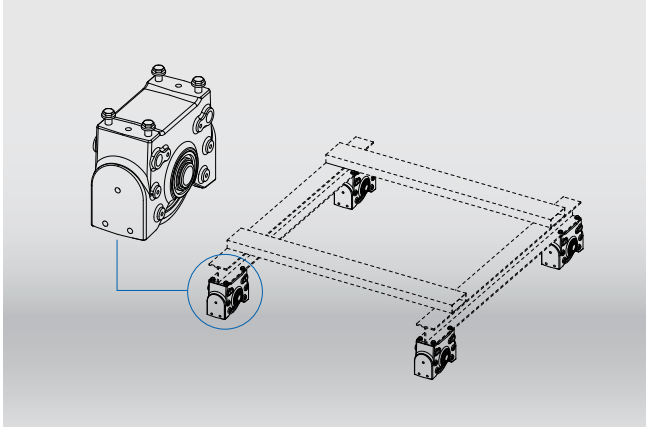
### LASER ALIGNMENT DEVICE SET

to adjust two LRS units in order to avoid any skewing. The set includes:

- Laser
- Slot aperture and target
- Mounting adapter for universal application with Demag DRS and Demag LRS systems  
Part no.: 752 100 44



# Examples for selection and ordering – Demag LRS travel wheel system & accessories



## EXAMPLE 1 NON-DRIVEN FOUR-WHEEL TROLLEY

### Requirements:

Moving total loads of 4,000 kg on a concrete surface:

- Four-wheel trolley fitted with travel wheels that have Hydropur tyres
- Wheel loads of 1,000 kg

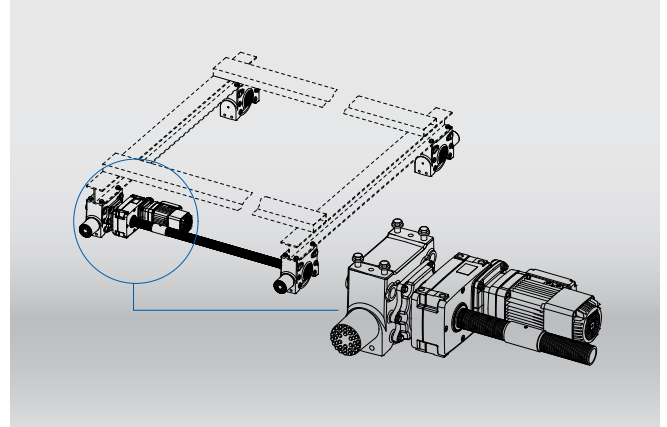
### Solution:

- LRS 200 F (1,200 kg permissible wheel load)
- Ideal interface between LRS units and superstructure with standard top connection

#### ORDER LIST:

4 x LRS 200 F

Part no. 301 200 84



## EXAMPLE 2 FOUR-WHEEL TROLLEY WITH CENTRAL DRIVE

### Requirements:

- Moving a load weighing 12,500 kg
- Main travel speed: 12.5 m/min
- Positioning speed 3.1 m/min.
- Flat rails with 2.8 m track gauge

### Solution:

- LRS 250 A with spheroidal-graphite cast-iron wheels with flanges (3,500 kg permissible wheel load)
- Central drive ensures simultaneous travel and minimises need for control system
- One motor moves the entire mass of 12,500 kg
- The appropriate drive with the drive combination 32 is selected from the selection table (page 11) for the LRS 250 A.
- Buffers on the LRS units protect the travel unit and the customer's superstructure in an emergency situation.

#### ORDER LIST:

4 x LRS 250 A

Part no. 301 301 84

1 x drive with drive combination 32, AMK 40 TD ZBF 71 A8/2 pole-changing geared motor incl. shaft, shaft protection, torque bracket and installation material

Part no. 858 232 46

1 x 2,900 central drive set for max.

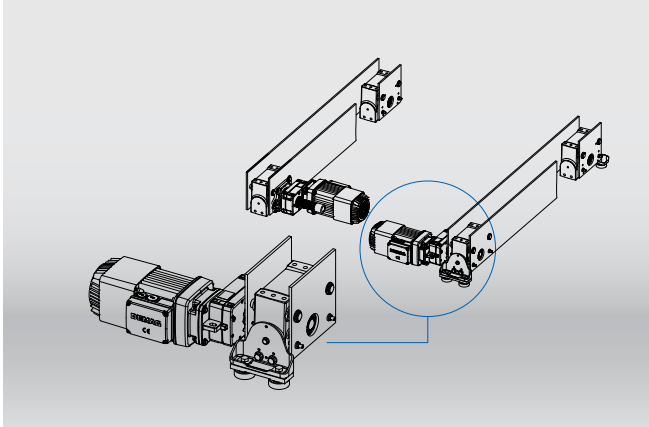
2.9 m track gauge

Part no. 301 357 84

4 x buffer

Part no. 301 710 84





**EXAMPLE 3**  
**FOUR-WHEEL TROLLEY FITTED WITH TWO INDIVIDUAL DRIVE UNITS**

**Requirements:**

Moving a load weighing 6,000 kg on flat rails

- Smooth and quiet transport
- at 80 m/min main travel speed

**Solution:**

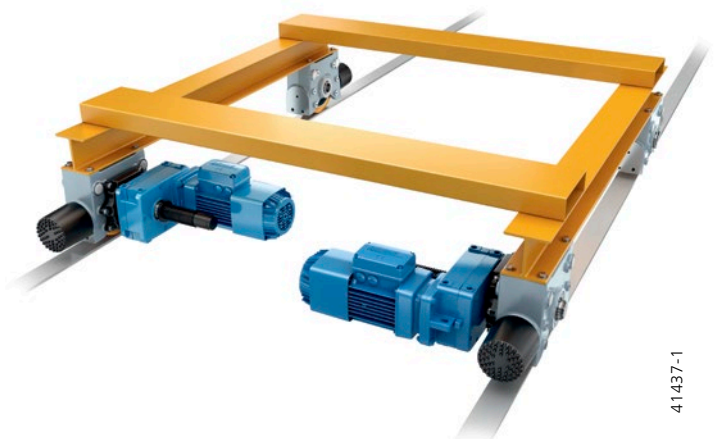
LRS 250 F (travel wheels with Hydropur tyres) with 1,700 kg wheel load

For this travel speed, the selection table (on page 11) shows a geared motor that can move a mass of up to 4,000 kg (drive combination 45). Two geared motors (individual drives) are selected with drive combination 45. Note: on a four-wheel trolley fitted with individual drives, the drives have to be arranged opposite each other in order to avoid any distortion.

Two horizontal guide roller arrangements are needed to guide the travel unit on the rails. Optional pin-connection sets are used to connect the LRS units to the metal plate superstructure.

**ORDER LIST:**

- |  |                            |
|--|----------------------------|
| 4 × LRS 250 F  | <b>Part no. 301 300 84</b> |
| 4 × pin connection set   | <b>Part no. 301 321 84</b> |
| 2 × geared motor drive combination 45, AMK 30 DD ZBF 100 A8/2 pole-changing geared motor incl. shaft, shaft protection, torque bracket and installation material | <b>Part no. 858 245 46</b> |
| 2 × horizontal guide rollers   | <b>Part no. 301 310 84</b> |



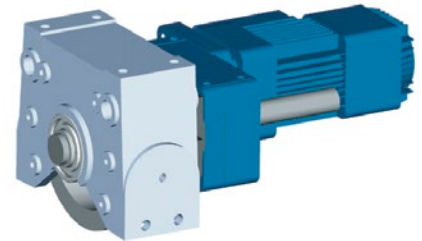
41437-1

# Simple integration with CAD files

To facilitate integration of the selected LRS components into your design, we offer 2D and 3D CAD files in various formats on the Internet at [www.drives.demag-designer.com](http://www.drives.demag-designer.com). Use Drive Designer as a configurator for project engineering support and enquiries.

## YOUR BENEFITS WITH DRIVE DESIGNER:

- Easy to use
- Specify products to meet your needs
- Save your configuration
- Immediate results:
  - Product description
  - Technical data
  - CAD geometry data
  - Circuit diagrams for drives
- Documentation
- Online ordering via Demag Shop



## Design made easy Demag Designer tools and shop

### ONLINE CONNECTION TO DEMAG SHOP

Benefit from fast and simple ordering of your selected LRS components at [www.demag-shop.com](http://www.demag-shop.com).

The system includes individual order numbers for all sub-assemblies. You can specify the shipping method. When the order has been placed, you will immediately receive notification of the order number and the expected delivery date.

**YOUR FAX ENQUIRY FOR THE DEMAG LRS TRAVEL WHEEL SYSTEM – THE UNIVERSAL SOLUTION FOR MANY APPLICATIONS**

**Demag Cranes & Components GmbH**  
 Wetter Site  
 Ruhrstrasse 28 · 58300 Wetter, Germany

**Please mark as applicable:**

- Order
- Price information
- Quotation

**Sender**

Company \_\_\_\_\_

PO Box/street \_\_\_\_\_

Town/post code \_\_\_\_\_

Contact \_\_\_\_\_

Telephone/extension \_\_\_\_\_ Fax \_\_\_\_\_

E-mail \_\_\_\_\_

LRS 200 sub-assembly	Part no.	Quantity
LRS 200 F	301 200 84	
LRS 200 A	301 201 84	
LRS 200 B	301 208 84	
Pin connection set	301 221 84	
Central drive set – 1,500 mm	301 256 84	
Central drive set – 2,900 mm	301 257 84	
Buffer set	301 710 84	
LRS 200 A/B horizontal guide rollers	752 210 84	
LRS 200 F horizontal guide rollers	301 210 84	
Rail sweeping system	301 732 84	
Laser alignment jig	752 100 44	

LRS 250 sub-assembly	Part no.	Quantity
LRS 250 F	301 300 84	
LRS 250 A	301 301 84	
LRS 250 B	301 208 84	
Pin connection set	301 321 84	
Central drive set – 1,500 mm	301 356 84	
Central drive set – 2,900 mm	301 357 84	
Buffer set	301 710 84	
LRS 250 A/B horizontal guide rollers	752 510 44	
LRS 250 F horizontal guide rollers	301 310 84	
Rail sweeping system	301 733 84	
Laser alignment jig	752 100 44	

LRS 350 sub-assembly	Part no.	Quantity
LRS 350 F	301 400 84	
LRS 350 A	301 401 84	
LRS 350 B	301 208 84	
Pin connection set	301 421 84	
Central drive set – 1,500 mm	301 456 84	
Central drive set – 2,900 mm	301 457 84	
Buffer set	301 711 84	
LRS 350 A/B horizontal guide rollers	753 010 44	
LRS 350 F horizontal guide rollers	301 410 84	
Rail sweeping system	301 733 84	
Laser alignment jig	752 100 44	

Drive combination	Part no.	Quantity
11 AMK 20 TD ZBF 63 A 8/2	858 211 46	
12 AMK 30 TD ZBF 71 A 8/2	858 212 46	
13 AMK 20 TD ZBF 80 A 8/2	858 213 46	
14 AMK 30 DD ZBF 90 B 8/2	858 214 46	
15 AMK 30 DD ZBF 100 A 8/2	858 215 46	

21 AMK 30 TD ZBF 63 A 8/2	858 221 46	
22 AMK 20 TD ZBF 71 A 8/2	858 222 46	
23 AMK 30 DD ZBF 90 B 8/2	858 223 46	
24 AMK 30 DD ZBF 90 B 8/2	858 224 46	
25 AMK 30 DD ZBF 100 A 8/2	858 225 46	

Drive combination	Part no.	Quantity
31 AMK 30 TD ZBF 63 A 8/2	858 231 46	
32 AMK 40 TD ZBF 71 A 8/2	858 232 46	
33 AMK 30 DD ZBF 90 B 8/2	858 233 46	
34 AMK 40 DD ZBF 100 A 8/2	858 234 46	
35 AMK 30 DD ZBF 100 A 8/2	858 235 46	

41 AMK 30 TD ZBF 63 A 8/2	858 241 46	
42 AMK 40 TD ZBF 71 A 8/2	858 242 46	
43 AMK 30 DD ZBF 80 A 8/2	858 243 46	
44 AMK 40 DD ZBF 90 B 8/2	858 244 46	
45 AMK 30 DD ZBF 100 A 8/2	858 245 46	

Drive combination for top connection	Part no.	Quantity
52 ADK 50 TD ZBF 80 A 8/2	858 252 46	
54 ADK 50 DD ZBF 100 A 8/2	858 254 46	
55 ADK 50 DD ZBF 132 A 8/2	858 255 46	
62 ADK 50 TD ZBF 80 A 8/2	858 262 46	
64 ADK 50 TD ZBF 90 B 8/2	858 264 46	
65 ADK 50 DD ZBF 132 A 8/2	858 265 46	

Drive combination for pin connection	Part no.	Quantity
52B ADK 50 TD ZBF 80 A 8/2	858 257 46	
54B ADK 50 DD ZBF 100 A 8/2	858 258 46	
55B ADK 50 DD ZBF 132 A 8/2	858 259 46	
62B ADK 50 TD ZBF 80 A 8/2	858 267 46	
64B ADK 50 TD ZBF 90 B 8/2	858 268 46	
65B ADK 50 DD ZBF 132 A 8/2	858 269 46	

# Demag drives – from components to systems

## GEARED MOTORS

- Helical geared motors from 90 to 1,800 Nm
- Angular geared motors from 120 to 12,000 Nm
- Offset geared motors from 130 to 11,500 Nm with cylindrical-rotor motors from 0.18 to 45 kW.

## BRAKE MOTORS

- KB conical-rotor motors for demanding requirements such as extremely high switching frequencies and braking operation for outputs from 0.37 to 42 kW
- Z cylindrical-rotor motors as standard motors for outputs from 0.18 to 45 kW or as travel motors with integrated flywheel mass

## MICROSPEED DRIVES

- With conical-rotor motors
- For high speed ranges and positioning with high stopping accuracy
- Speed ratios up to 500 : 1

## TRAVEL UNIT COMPONENTS

- Modular systems for elements in materials handling installations and mechanical engineering applications without the need for any additional design work and production
- Wheel systems and wheel sets ready for installation for wheel loads up to 60 t
- Travel drives designed to match the wheel systems

## FREQUENCY INVERTERS

- Dedrive Compact STO and
- Dedrive Pro for AC drives with motor shaft outputs up to 560 kW
- Control of cylindrical and conical-rotor motors as single or groups of drives
- Current loads from 2.4 to 210 A and 4.2 to 544 A, respectively

## POWER SUPPLY LINE

- To supply mobile consumers with electric power
- Rated for currents up to 200 A (100% CDF)
- Fitted with up to 7 conductors, as required

## DEMAG CRANES & COMPONENTS GMBH

Wetter Site

Ruhrstrasse 28

58300 Wetter, Germany

**E** [info@demagcranes.com](mailto:info@demagcranes.com)

**T** +49 2335 92 0

**F** +49 2335 92-7676

[www.demagcranes.com](http://www.demagcranes.com)

# DEMAG