

Possible applications

A KBK full-portal crane can be used wherever there is no other load handling equipment. It is a simple device of light-weight design which can be easily moved in any direction; it can be easily disassembled and reassembled.

To ensure that it functions correctly and safely without tipping, it requires a smooth and level, non-sloping floor that the freely movable castors, which cannot be locked in position, can easily run on. The portal crane and the load on the track are moved by pushing by hand. A suspended load must be additionally guided when the portal crane is moved.

The cranes are designed to be operated with DC chain hoists with lifting speeds up to 16 m/min.

KBK full-portal cranes are built according to DIN 15018, lifting class 1, loading group 3.

Crane span dimension

Refer to the selection table for maximum span L_{Kr} , which depends on the length of the track. It can be variably reduced by relocating the legs.

$L_{Kr \text{ min.}} = L_{Kr \text{ max.}} - 1000 \text{ mm}$

Any further reduction of the crane span and loading of the resulting overhang are not permitted.

The track and legs are clamped together.

Paint finish

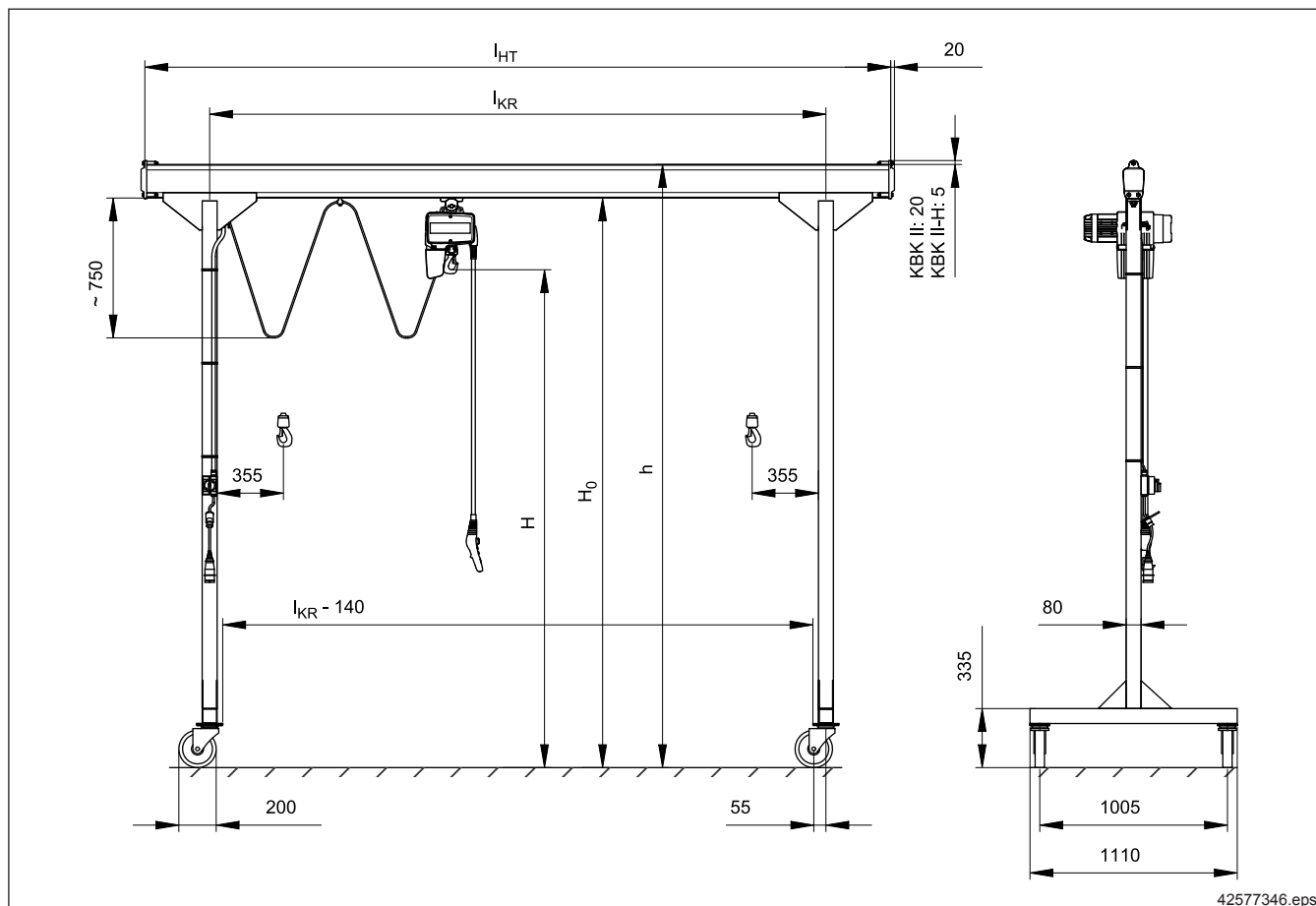
Track and legs red (RAL 2002), trolleys black (RAL 9005), trolley frame red (RAL 2002), small parts galvanised.



The metric system is used in this document and all figures are shown with a comma as the decimal separator.

Selection table

EVP-KBK single-girder full-portal crane

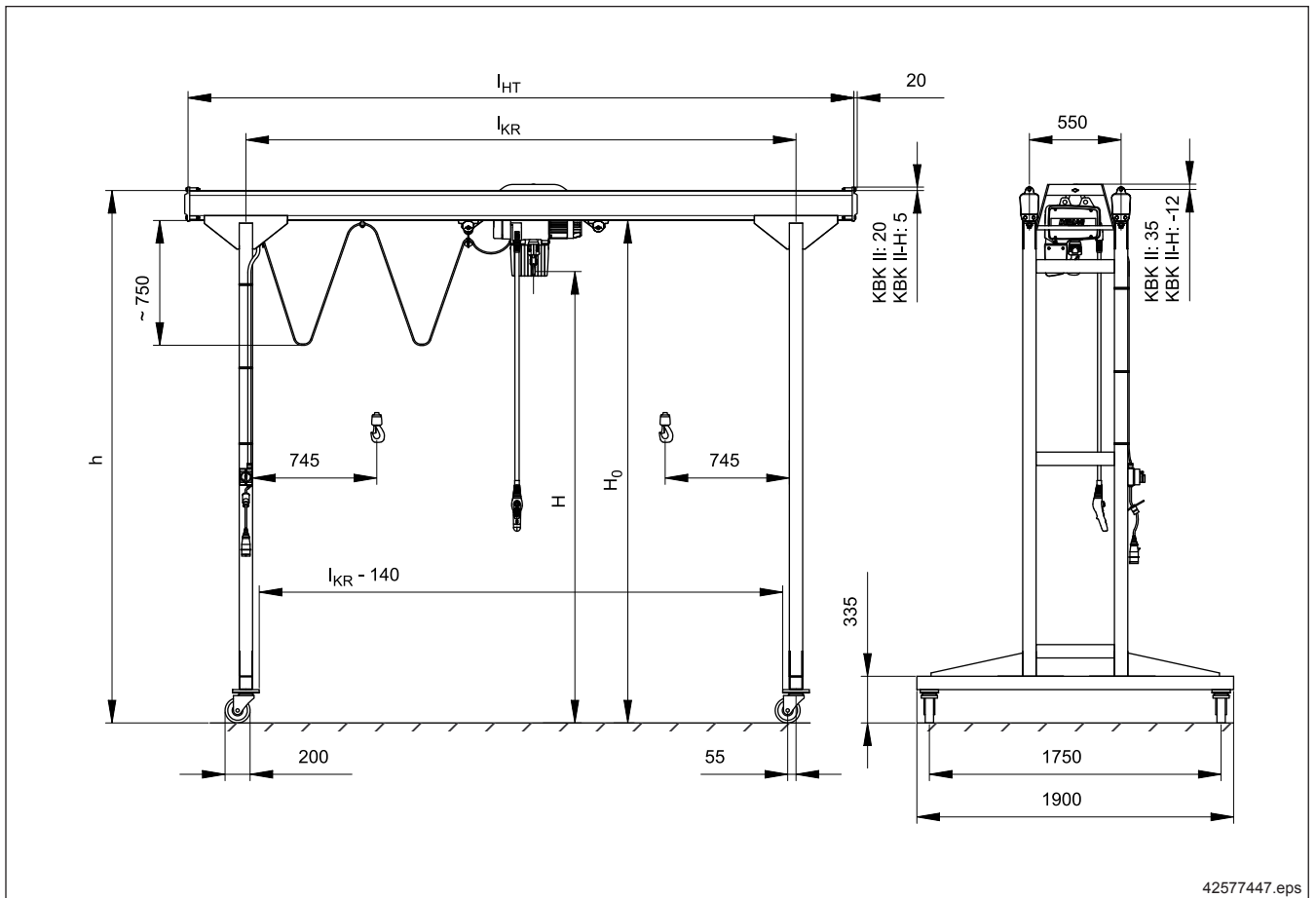


42577346.eps

Chain hoist load capacity [kg]	Track section	Single-girder portal crane		Lifting height H [mm] ¹⁾	Series		Chain hoist size
		I_{KR} [mm]	I_{HT} [mm]		H_0 [mm]	h [mm]	
250	KBK II	4300	5000	2676	3075	3255	DC 2
	KBK II-H	5300	6000		3059	3302	
315	KBK II	3300	4000	2624	3075	3255	DC 5
	KBK II-H	5300	6000		3059	3302	
400	KBK II	3300	4000		3075	3255	
	KBK II-H	5300	6000		3059	3302	
500	KBK II	3300	4000	3075	3255		
	KBK II-H	4300	5000	3059	3302		

1) DC chain hoist with long suspension bracket

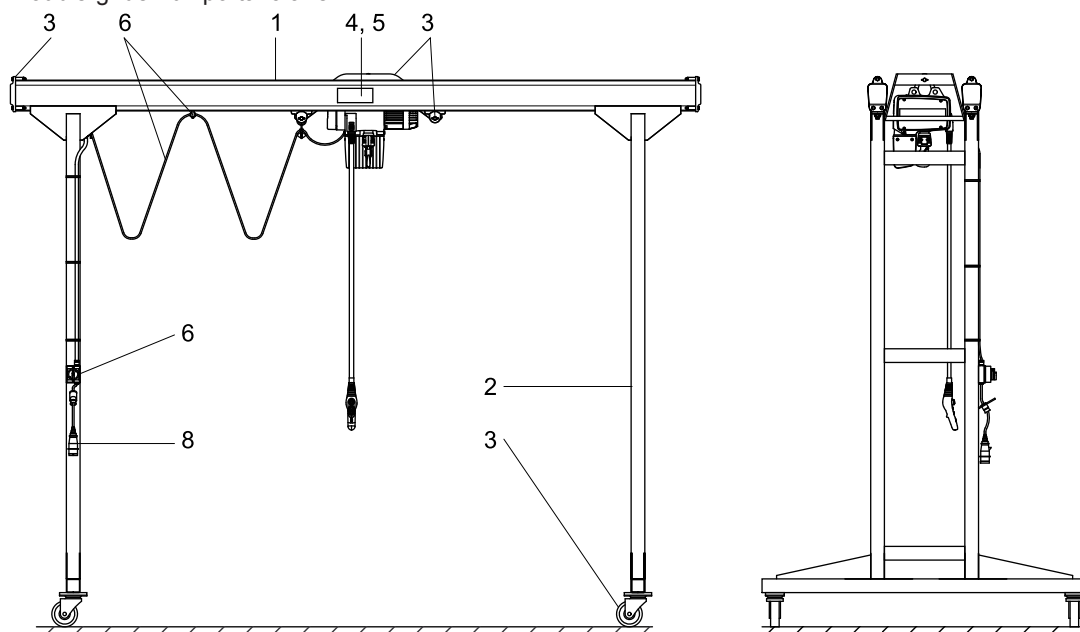
ZVP-KBK double-girder full-portal crane



Chain hoist load capacity [kg]	Track section	Double-girder portal crane		Lifting height H [mm] 2)	Series		Chain hoist size
		l_{KR} [mm]	l_{HT} [mm]		H_0 [mm]	h [mm]	
400	KBK II	4300	5000	2849	3075	3255	DC 5
	KBK II-H	5300	6000		3059	3302	
500	KBK II	4300	5000		3075	3255	
	KBK II-H	5300	6000		3059	3302	
630	KBK II	3300	4000	2760	3075	3255	DC 10 1/1
	KBK II-H	5300	6000		3059	3302	
800	KBK II	3300	4000		3075	3255	
	KBK II-H	4300	5000		3059	3302	
1000	KBK II	3300	4000		3075	3255	
	KBK II-H	4300	5000		3059	3302	

Sub-assemblies for ordering

Example: Double-girder full-portal crane



42577446.eps

Item	Order no.	Qty	Designation	Size	Length [mm]	Weight / unit [kg]
Single-girder portal crane and double-girder portal crane						
1	982 230 44	n ³⁾	Straight track section (series straight track section)	KBK II	4000	68,00
	982 232 44			KBK II	5000	85,00
	858 205 44			KBK II-H	5000	119,80
	858 206 44			KBK II-H	6000	143,50
4	851 491 44	2	Capacity plate	250 kg		
	980 868 44			315 kg		
	980 869 44			400 kg		
	851 492 44			500 kg		
	851 493 44			630 kg		
	851 494 44			800 kg		
851 495 44	1000 kg					
5	980 149 44	1	Manufacturer's plate			
6	982 186 44	1	Electric accessories , consisting of: Cable sliders; 4x1,5 mm ² flat cable for power supply between the hoist unit and the switch fitted to the leg; Cable retaining point on the leg, M20 cable entry gland, counter-nut; 1 mains connection switch, 20 A, 690 V ~, lockable by a maximum of 3 padlocks			2,00
7	894 157 44	10 m	Rubber-sheathed cable for mechanical heavy duty for power supply between the mains connection and the switch fitted to the leg			2,30
8	450 453 44	1	Plug	4-pole, 16 A, 400 V		0,14
	891 293 44	1		5-pole, 16 A, 400 V		0,18
9	202 780 44	1	EVP/ZVP-KBK crane operating instructions			
10	206 076 44	1	Operating instructions/component parts, KBK installations			
Single-girder portal crane						
2	858 212 44	2	Leg – standard height			45,53
	715 453 46		Leg – special height⁴⁾			22 kg + 8,3 kg/m
3	984 378 44	1	Mechanical accessories , consisting of: 4 castor wheels, 4 end plugs, 1 trolley, 2 counter-plates for legs, 2 end caps	KBK II	28,45	
	858 378 44			KBK II-H	30,73	
Double-girder portal crane						
2	517 558 46	2	Leg⁴⁾			58,5 kg + 16,5 kg/m
3	517 559 46	1	Mechanical accessories , consisting of: 4 castor wheels, 4 end plugs, 4 trolleys + crab frame, 4 counter-plates for legs, 4 end caps	KBK II	45,49	
	715 700 46			KBK II-H	50,05	

3) 1 straight track section for single-girder portal cranes. 2 straight track sections for double-girder portal cranes.

4) Any shortening of the leg must be stated in the order (H0=....). Portal cranes with extended legs on request (track, legs and leg bases are changed).

The current addresses of our sales offices, subsidiaries and agencies worldwide can be found on the homepage

www.demagcranes.com